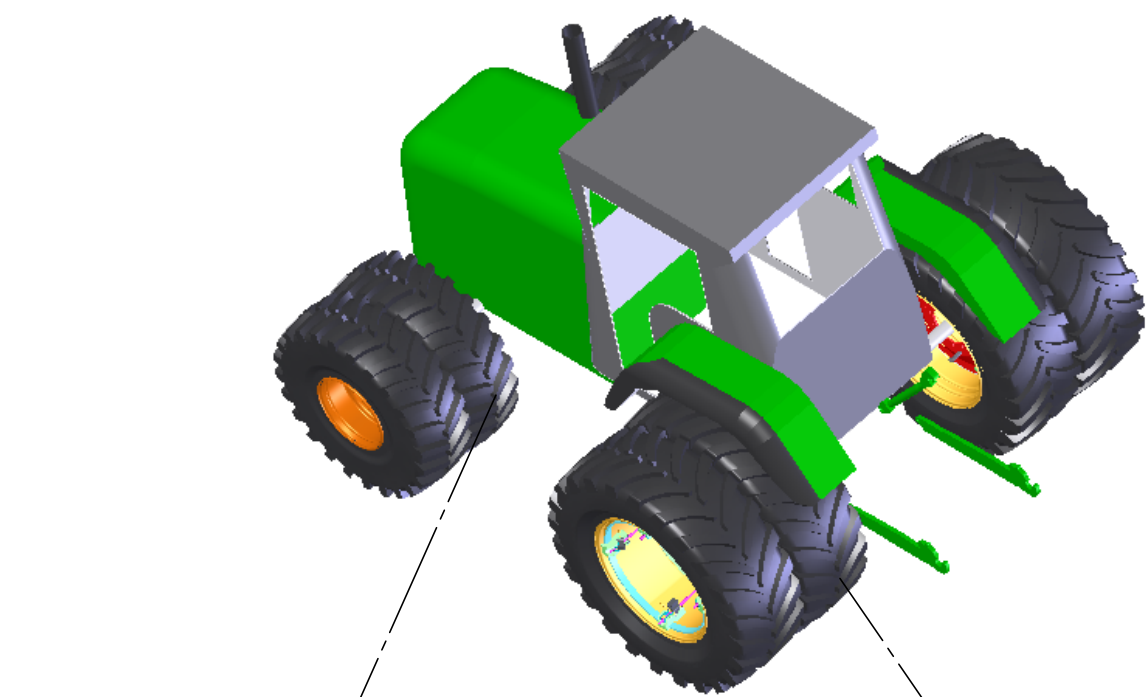
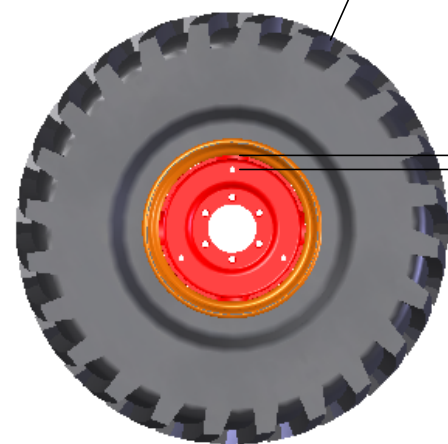


# Operating and mounting instructions

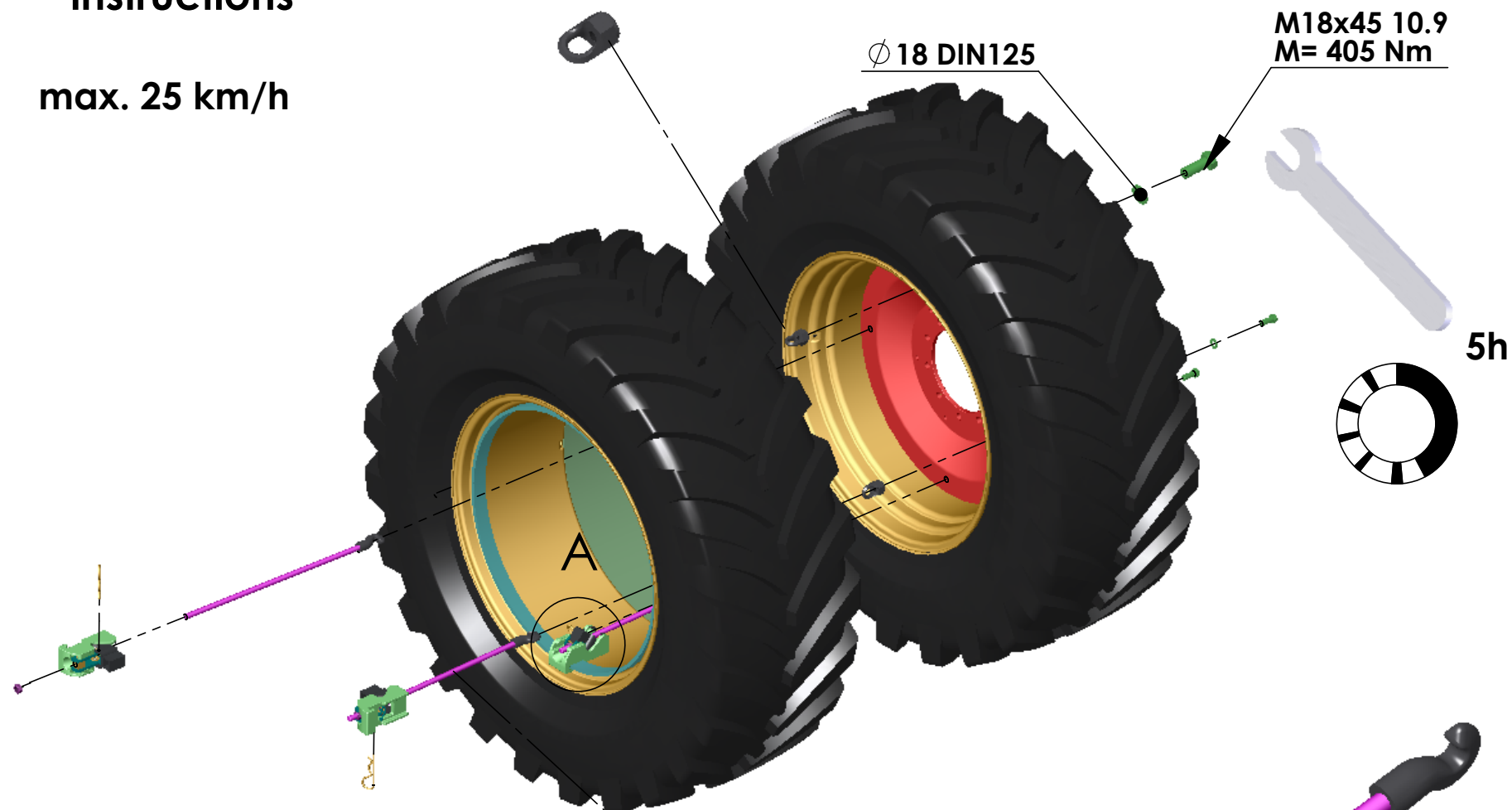
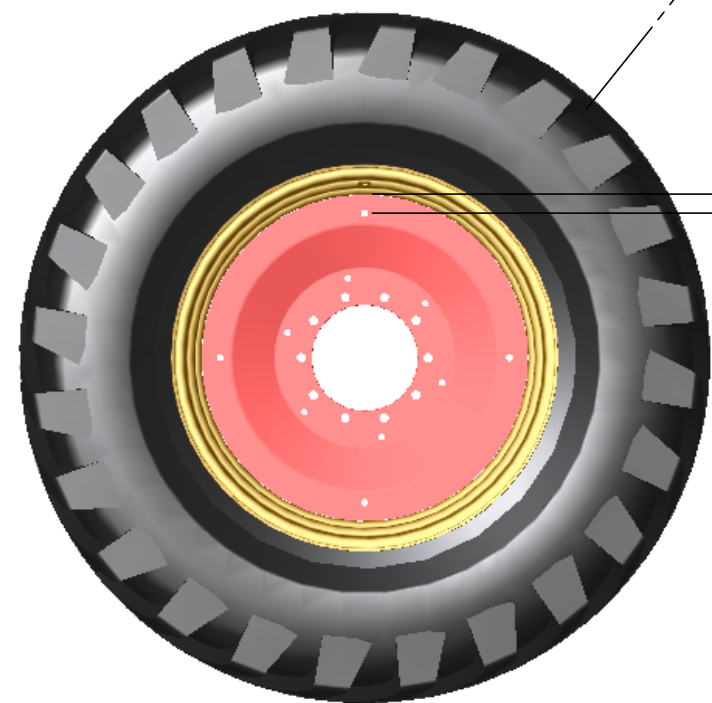
max. 25 km/h



max. 100 mm (2-4x  $\phi 19$ )

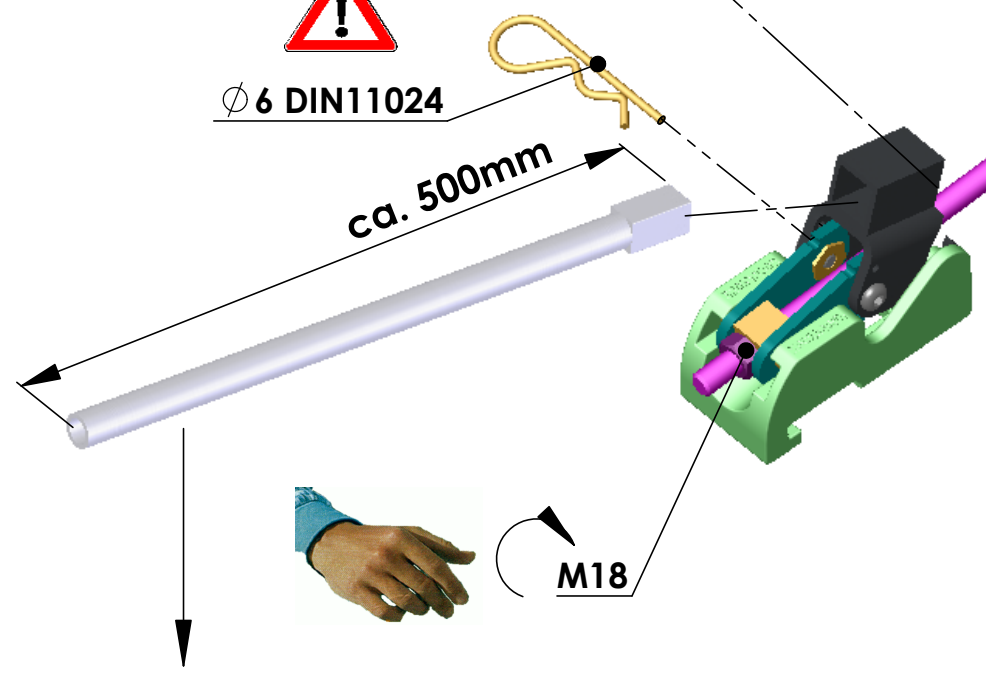


max. 120 mm (3-6x  $\phi 19$ )



$\phi 6$  DIN11024

ca. 500mm



DETAIL A

